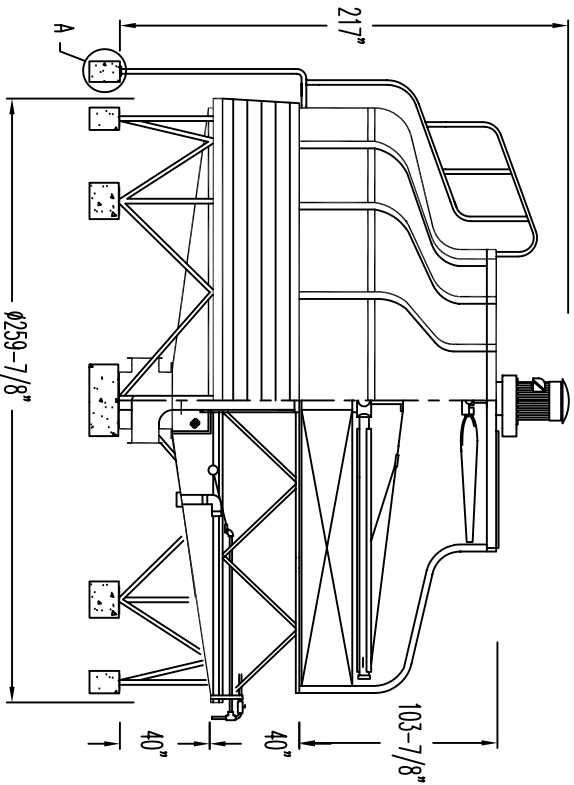
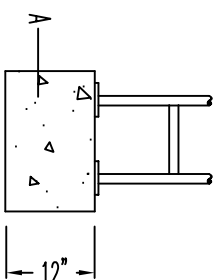
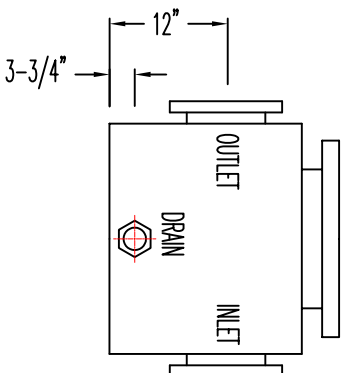


TOWER FOUNDATION



TOWER OVERALL DIMENSION



TOWER WEIGHT(Lbs)	NET WEIGHT	
	OPERATING WEIGHT	8910
STAND	1926	
LOADING POINT(Lbs)	TANK	6242
PIPING	OUTLET	10"
	INLET	10"
	OVERFLOW	4"
	DRAIN	4"
	AUTOMATIC MAKE-UP	2"
	MANUAL MAKE-UP	2"

NOTES:

1. THE COOLING TOWER MUST BE LOCATED AT SUCH DISTANCE AND DIRECTION TO AVOID THE POSSIBILITY OF CONTAMINATED TOWER DISCHARGE AIR BEING DRAWN INTO BUILDING FRESH AIR INTAKES
2. ANCHOR BOLT BY OTHERS.
3. CONTINUING ENGINEERING RESEARCH RESULTS IN STEADY IMPROVEMENTS. THEREFORE, THESE SPECIFICATIONS AND DATA ARE SUBJECT TO CHANGE WITHOUT NOTICE. CONSULT WITH FACTORY FOR CURRENT CERTIFIED DIMENSIONS.

APPROVED	KM LIN	06.27.2007	DWG TITLE:	TOWER DIMENSIONS AND FOUNDATION
CHECKED	NQUIN	11.07.2007	DWG DETAIL:	PCT-700
DRAWN	ZENG	06.26.2007	DWG NO.:	AFP-0700-0
ITEM	BY	DATE		DO NOT SCALE

PROTEC COOLING TOWERS, INC.