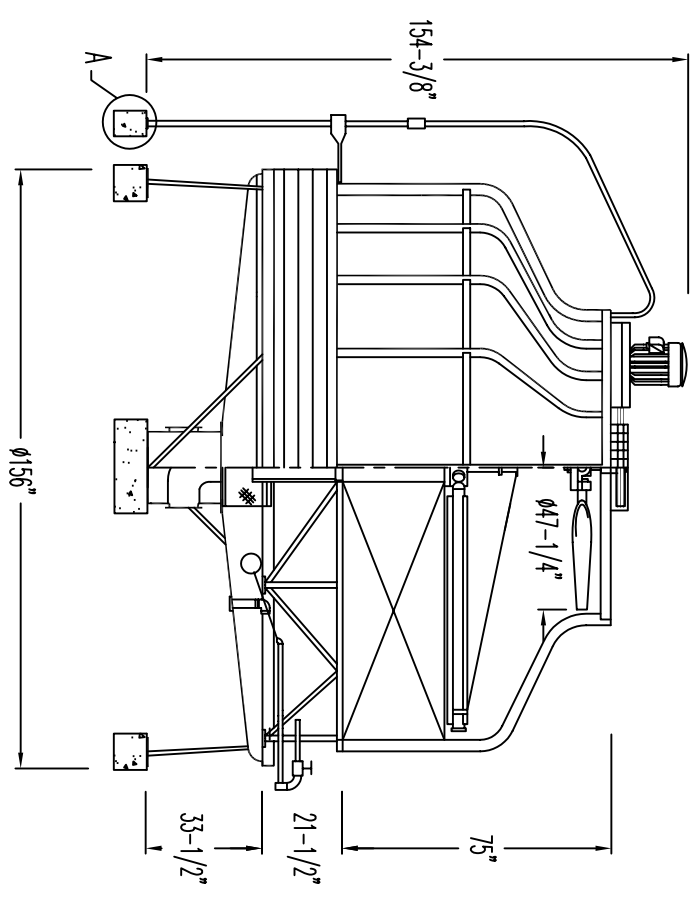
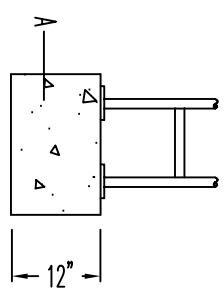
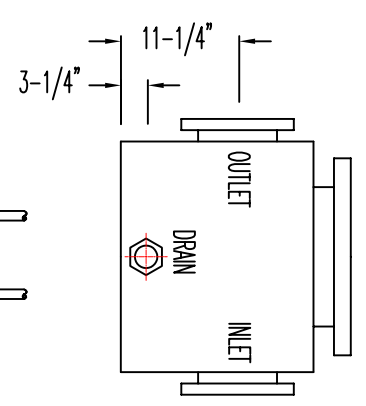


TOWER FOUNDATION



TOWER OVERALL DIMENSION



LOADING POINT(lbs)	TOWER WEIGHT(lbs)	
	NET WEIGHT	OPERATING WEIGHT
STAND	938	6267
TANK	2515	
PIPE		
OUTLET	8"	
INLET	8"	
OVERFLOW	3"	
DRAIN	3"	
AUTOMATIC MAKE-UP	1-1/4"	
MANUAL MAKE-UP	1-1/4"	

- NOTES:
1. THE COOLING TOWER MUST BE LOCATED AT SUCH DISTANCE AND DIRECTION TO AVOID THE POSSIBILITY OF CONTAMINATED TOWER DISCHARGE AIR BEING DRAWN INTO BUILDING FRESH AIR INTAKES
 2. ANCHOR BOLT BY OTHERS.
 3. CONTINUING ENGINEERING RESEARCH RESULTS IN STEADY IMPROVEMENTS. THEREFORE, THESE SPECIFICATIONS AND DATA ARE SUBJECT TO CHANGE WITHOUT NOTICE. CONSULT WITH FACTORY FOR CURRENT CERTIFIED DIMENSIONS.

APPROVED	KM LIN	06.27.2007	DWG TITLE:	TOWER DIMENSIONS AND FOUNDATION	
CHECKED	NOJUN	11.06.2007	DWG DETAIL:	PCT-250	
DRAWN	HUANG	06.27.2007	DWG NO.:	AFP-0250-0	DO NOT SCALE
ITEM	ZENG	06.26.2007	<p style="text-align: center;">PROTEC COOLING TOWERS, INC.</p>		
	BY	DATE			