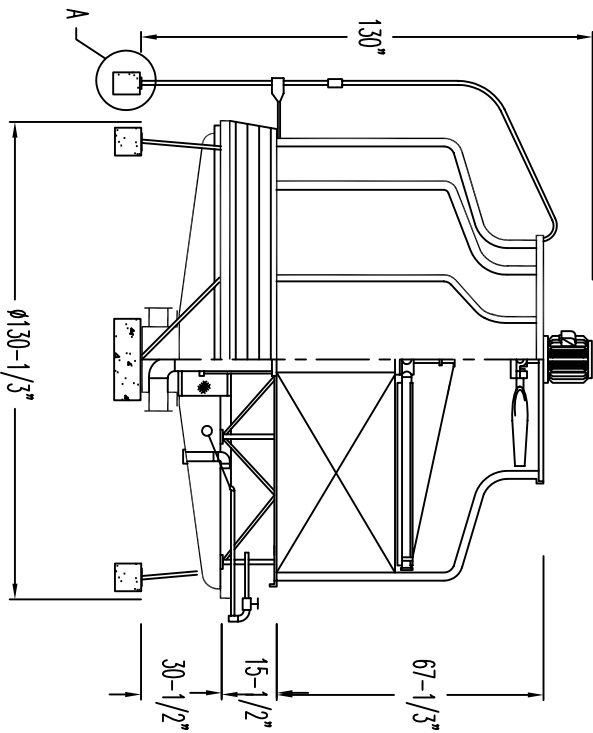
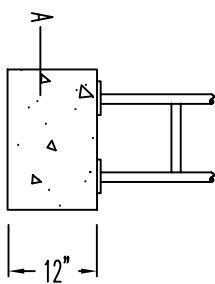
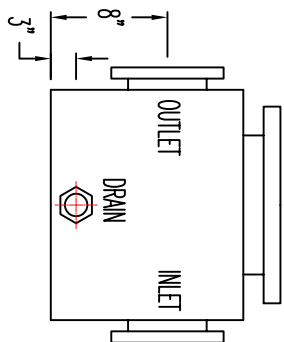


TOWER FOUNDATION



TOWER OVERALL DIMENSION



TOWER WEIGHT(lbs)		NET WEIGHT	1914
TOWER WEIGHT(lbs)		OPERATING WEIGHT	4312
LOADING POINT(lbs)		STAND	660
		TANK	1672
PIPING	OUTLET		6"
	INLET		6"
	OVERFLOW		2"
	DRAIN		2"
	AUTOMATIC MAKE-UP		1"
MANUAL MAKE-UP		1"	

- NOTES:
1. THE COOLING TOWER MUST BE LOCATED AT SUCH DISTANCE AND DIRECTION TO AVOID THE POSSIBILITY OF CONTAMINATED TOWER DISCHARGE AIR BEING DRAWN INTO BUILDING FRESH AIR INTAKES
  2. ANCHOR BOLT BY OTHERS.
  3. CONTINUING ENGINEERING RESEARCH RESULTS IN STEADY IMPROVEMENTS. THEREFORE, THESE SPECIFICATIONS AND DATA ARE SUBJECT TO CHANGE WITHOUT NOTICE. CONSULT WITH FACTORY FOR CURRENT CERTIFIED DIMENSIONS.

APPROVED	KM LIN	06.27.2007	DWG TITLE:	TOWER DIMENSIONS AND FOUNDATION
CHECKED	NOJUN	11.06.2007	DWG DETAIL:	PCT-175
DRAWN	HJANG	06.27.2007	DWG NO.:	AFP-0175-0
ITEM	BY	DATE		DO NOT SCALE

PROTEC COOLING TOWERS, INC.