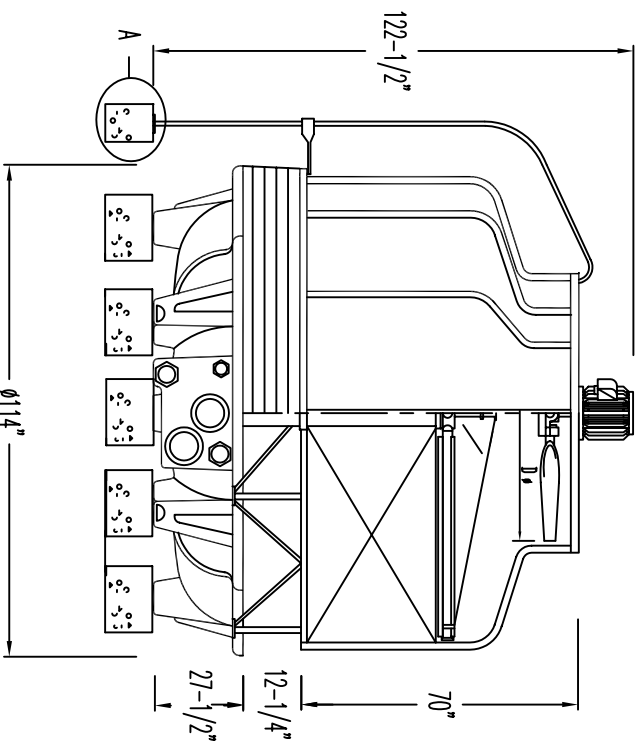
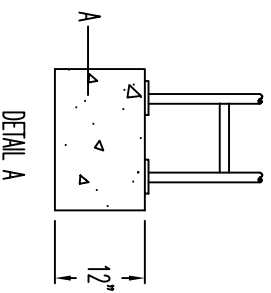
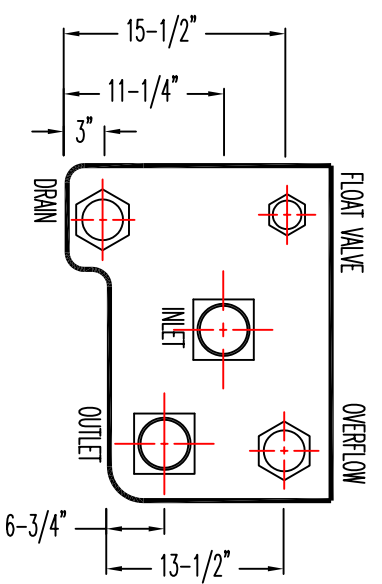


TOWER FOUNDATION



TOWER OVERALL DIMENSION



LOADING POINT(lbs)	TOWER WEIGHT(lbs)	
	NET WEIGHT	OPERATING WEIGHT
STAND	1276	3198
TANK	—	1066
OUTLET	6"	6"
INLET	6"	6"
OVERFLOW	2"	2"
DRAIN	2"	2"
AUTOMATIC MAKE-UP	3/4"	3/4"
MANUAL MAKE-UP	—	—

- NOTES:
1. THE COOLING TOWER MUST BE LOCATED AT SUCH DISTANCE AND DIRECTION TO AVOID THE POSSIBILITY OF CONTAMINATED TOWER DISCHARGE AIR BEING DRAWN INTO BUILDING FRESH AIR INTAKES
  2. ANCHOR BOLT BY OTHERS.
  3. CONTINUING ENGINEERING RESEARCH RESULTS IN STEADY IMPROVEMENTS. THEREFORE, THESE SPECIFICATIONS AND DATA ARE SUBJECT TO CHANGE WITHOUT NOTICE. CONSULT WITH FACTORY FOR CURRENT CERTIFIED DIMENSIONS.

APPROVED	KIM LIN	06.27.2007	DWG TITLE:	TOWER DIMENSIONS AND FOUNDATION
CHECKED	NOJIN	11.06.2007	DWG DETAIL:	PCT-150
DRAWN	HUANG	06.27.2007	DWG NO.:	AFP-0150-0
ITEM	ZENG	06.26.2007	DO NOT SCALE	
BY	DATE		<b>PROTEC COOLING TOWERS, INC.</b>	