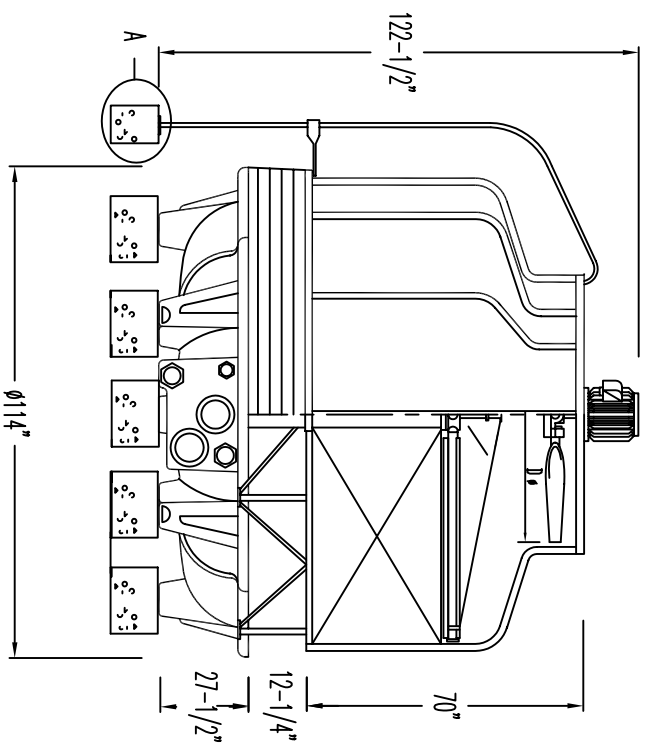
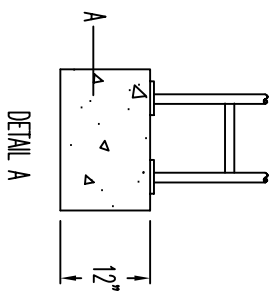
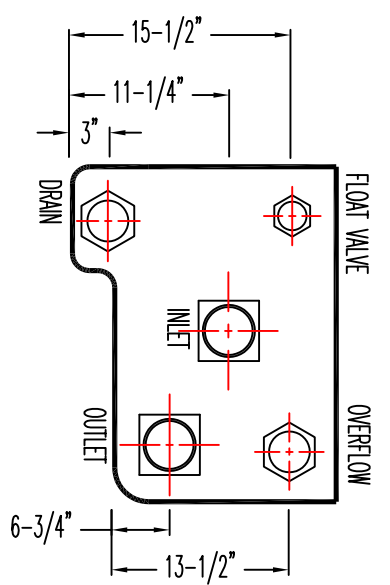


6 NOS
ANCHOR BOLT
1/2" x 5"

TOWER FOUNDATION



TOWER OVERALL DIMENSION



TOWER WEIGHT(lbs)	NET WEIGHT	1188
	OPERATING WEIGHT	3029
LOADING POINT(lbs)	STAND	1010
	TANK	—
PIPING	OUTLET	5"
	INLET	5"
	OVERFLOW	2"
	DRAIN	2"
	AUTOMATIC MAKE-UP	3/4"
MANUAL MAKE-UP	—	

- NOTES:
1. THE COOLING TOWER MUST BE LOCATED AT SUCH DISTANCE AND DIRECTION TO AVOID THE POSSIBILITY OF CONTAMINATED TOWER DISCHARGE AIR BEING DRAWN INTO BUILDING FRESH AIR INTAKES
 2. ANCHOR BOLT BY OTHERS.
 3. CONTINUING ENGINEERING RESEARCH RESULTS IN STEADY IMPROVEMENTS. THEREFORE, THESE SPECIFICATIONS AND DATA ARE SUBJECT TO CHANGE WITHOUT NOTICE. CONSULT WITH FACTORY FOR CURRENT CERTIFIED DIMENSIONS.

APPROVED	KIM LIN	06-27-2007	DWG TITLE:	TOWER DIMENSIONS AND FOUNDATION	
CHECKED	HAUNG <td>06-27-2007 <td>DWG DETAIL:</td> <td colspan="2">PCT-125</td> </td>	06-27-2007 <td>DWG DETAIL:</td> <td colspan="2">PCT-125</td>	DWG DETAIL:	PCT-125	
DRAWN	ZENG <td>06-26-2007 <td>DWG NO.:</td> <td>AFP-0125-0</td> <td>DO NOT SCALE</td> </td>	06-26-2007 <td>DWG NO.:</td> <td>AFP-0125-0</td> <td>DO NOT SCALE</td>	DWG NO.:	AFP-0125-0	DO NOT SCALE
ITEM	BY	DATE	PROTEC COOLING TOWERS, INC.		