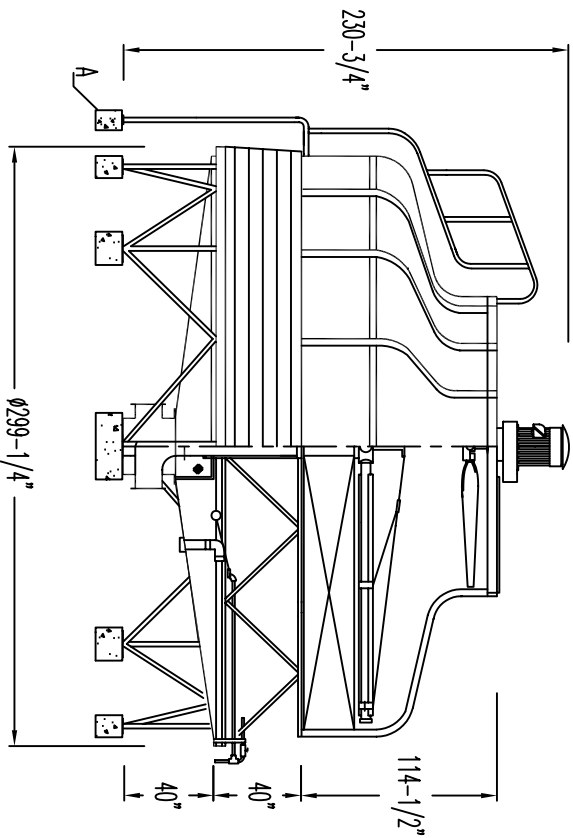
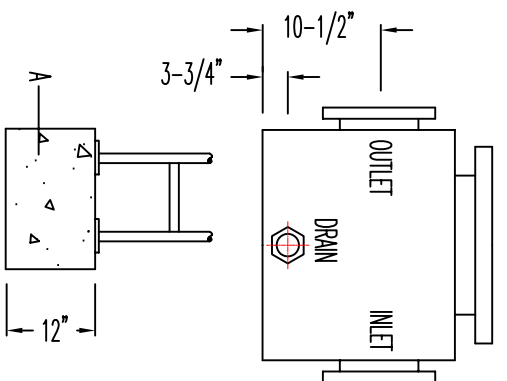


TOWER FOUNDATION



TOWER OVERALL DIMENSION



TOWER WEIGHT		NET WEIGHT	10780
OPERATING WEIGHT		OPERATING WEIGHT	27951
LOADING POINT	STAND	2485	
	TANK	8074	
PIPING	OUTLET	12"	
	INLET	12"	
	OVERFLOW	4"	
	DRAIN	4"	
	AUTOMATIC MAKE-UP	3"	
	MANUAL MAKE-UP	3"	

- NOTES:
1. THE COOLING TOWER MUST BE LOCATED AT SUCH DISTANCE AND DIRECTION TO AVOID THE POSSIBILITY OF CONTAMINATED TOWER DISCHARGE AIR BEING DRAWN INTO BUILDING FRESH AIR INTAKES
 2. ANCHOR BOLT BY OTHERS.
 3. CONTINUING ENGINEERING RESEARCH RESULTS IN STEADY IMPROVEMENTS. THEREFORE, THESE SPECIFICATIONS AND DATA ARE SUBJECT TO CHANGE WITHOUT NOTICE. CONSULT WITH FACTORY FOR CURRENT CERTIFIED DIMENSIONS.

APPROVED	KM LIN	06/27/2007	DWG TITLE:	TOWER DIMENSIONS AND FOUNDATION
CHECKED	NOJIN	11/07/2007	DWG DETAIL:	PCI-1000
DRAWN	HUANG	06/27/2007	DWG NO.:	AFP-1000-0
ITEM	ZENG	06/26/2007		DO NOT SCALE
PROTEC COOLING TOWERS, INC.				