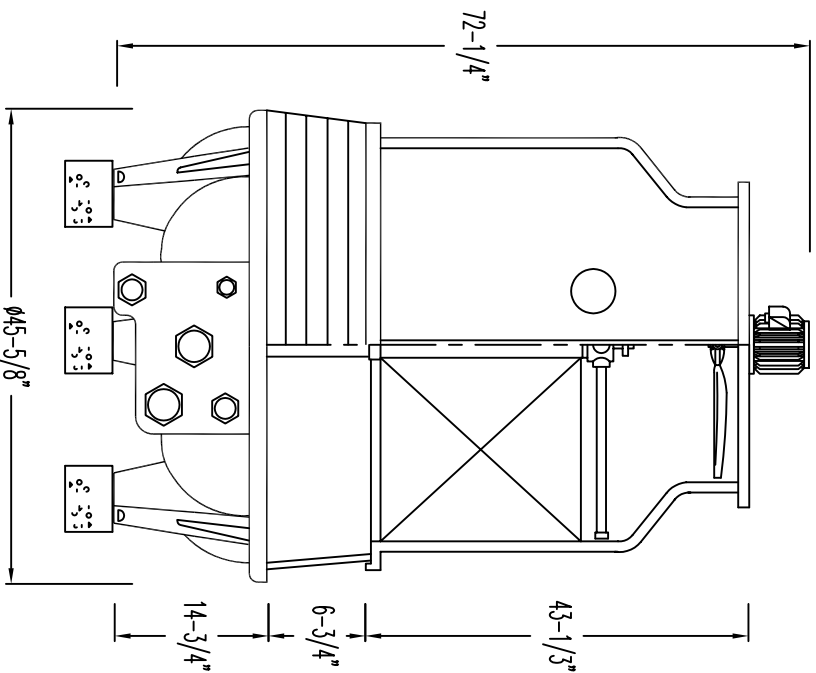
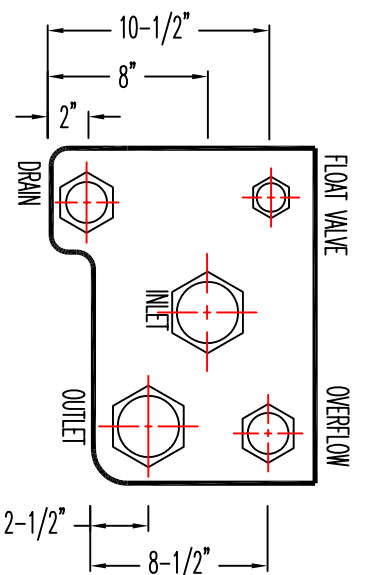


TOWER FOUNDATION



TOWER OVERALL DIMENSION



TOWER WEIGHT(lbs)	NET WEIGHT	187
	OPERATING WEIGHT	541
LOADING POINT(lbs)	STAND	180
	TANK	—
PIPING	OUTLET	2"
	INLET	2"
	OVERFLOW	1"
	DRAIN	1"
	AUTOMATIC MAKE-UP	1/2"
MANUAL MAKE-UP	—	—

- NOTES:
1. THE COOLING TOWER MUST BE LOCATED AT SUCH DISTANCE AND DIRECTION TO AVOID THE POSSIBILITY OF CONTAMINATED TOWER DISCHARGE AIR BEING DRAWN INTO BUILDING FRESH AIR INTAKES
  2. ANCHOR BOLT BY OTHERS.
  3. CONTINUING ENGINEERING RESEARCH RESULTS IN STEADY IMPROVEMENTS. THEREFORE, THESE SPECIFICATIONS AND DATA ARE SUBJECT TO CHANGE WITHOUT NOTICE. CONSULT WITH FACTORY FOR CURRENT CERTIFIED DIMENSIONS.

APPROVED	KM LIN	06.27.2007	DWG TITLE:	TOWER DIMENSIONS AND FOUNDATION	
CHECKED	NQUIN	11.06.2007	DWG DETAIL:	PCI-20	
DRAWN	HUANG	06.27.2007	DWG NO.:	AFP-0020-0	DO NOT SCALE
ITEM	ZENG	06.26.2007	BY	DATE	
<b>PROTEC COOLING TOWERS, INC.</b>					