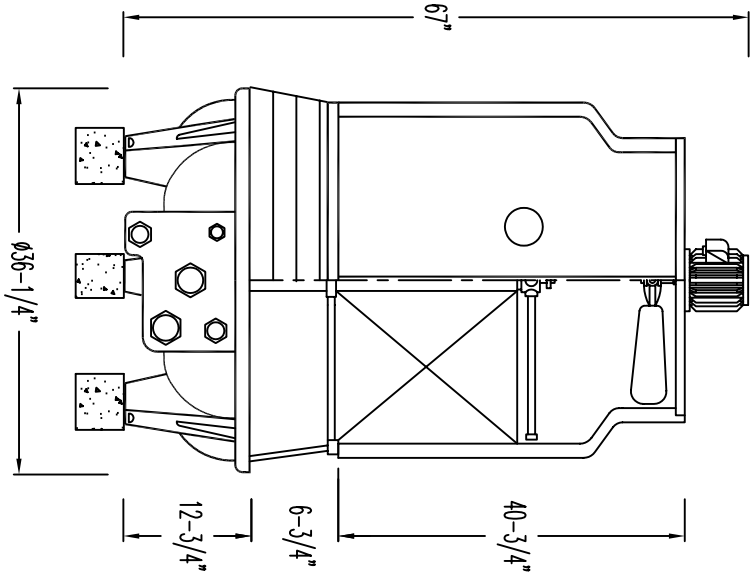
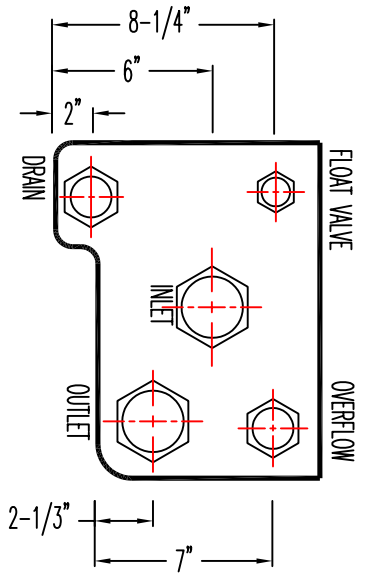


TOWER FOUNDATION



TOWER OVERALL DIMENSION



TOWER WEIGHT(Lbs)	NET WEIGHT	143
	OPERATING WEIGHT	342
LOADING POINT(Lbs)	STAND	114
	TANK	—
PIPING	OUTLET	1-1/2"
	INLET	1-1/2"
	OVERFLOW	1"
	DRAIN	1"
	AUTOMATIC MAKE-UP	1/2"
MANUAL MAKE-UP	—	

- NOTES:
1. THE COOLING TOWER MUST BE LOCATED AT SUCH DISTANCE AND DIRECTION TO AVOID THE POSSIBILITY OF CONTAMINATED TOWER DISCHARGE AIR BEING DRAWN INTO BUILDING FRESH AIR INTAKES
 2. ANCHOR BOLT BY OTHERS.
 3. CONTINUING ENGINEERING RESEARCH RESULTS IN STEADY IMPROVEMENTS. THEREFORE, THESE SPECIFICATIONS AND DATA ARE SUBJECT TO CHANGE WITHOUT NOTICE. CONSULT WITH FACTORY FOR CURRENT CERTIFIED DIMENSIONS.

APPROVED	DATE	DWG TITLE:	TOWER DIMENSIONS AND FOUNDATION	
KAI LIN	06.27.2007	DWG DETAIL:	PCT-10	
CHECKED	DATE	DWG NO.:	AFP-0010-0	DO NOT SCALE
NGUIN	11.06.2007			
HIANG	06.27.2007			
DRAWN	DATE			
ZENG	06.26.2007			
BY		PROTEC COOLING TOWERS, INC.		