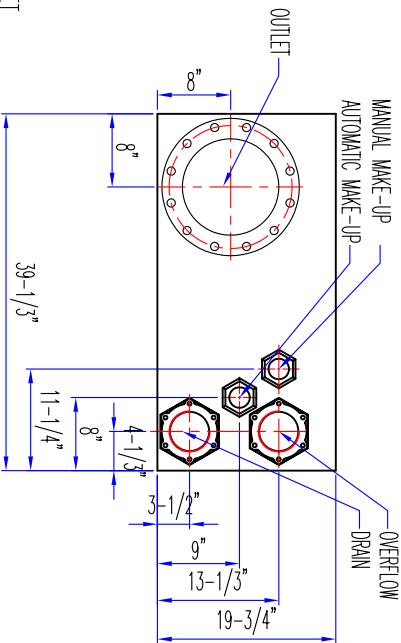
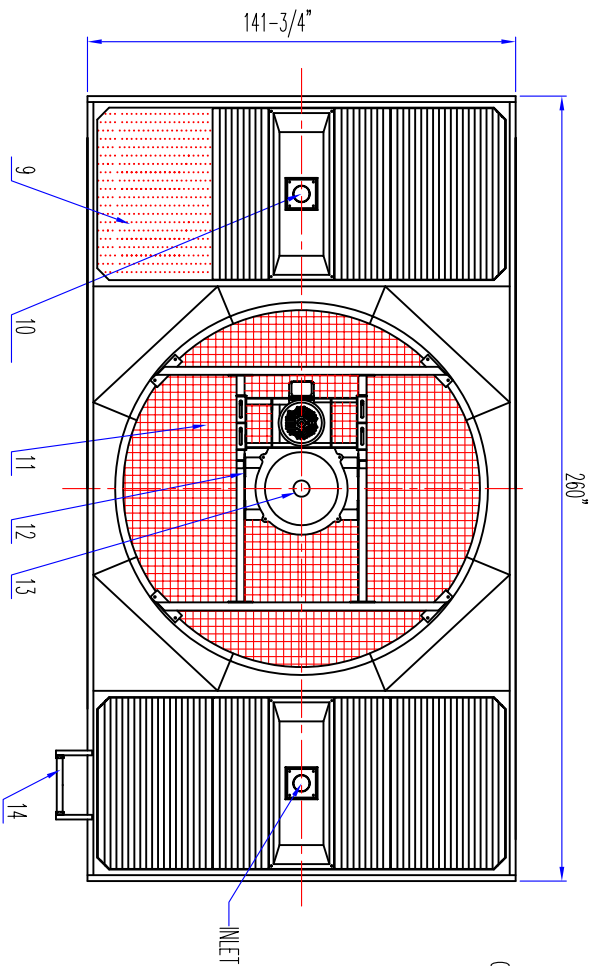
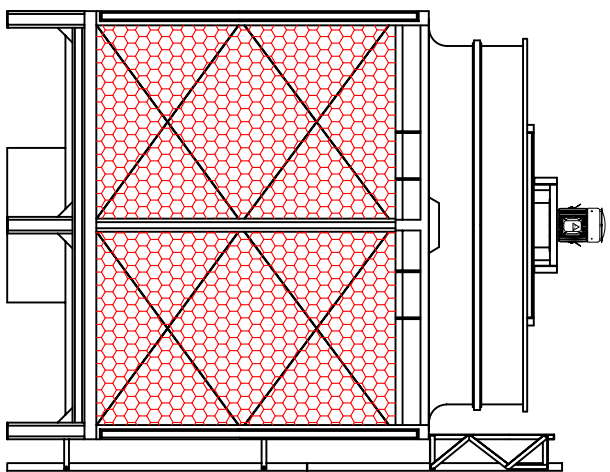
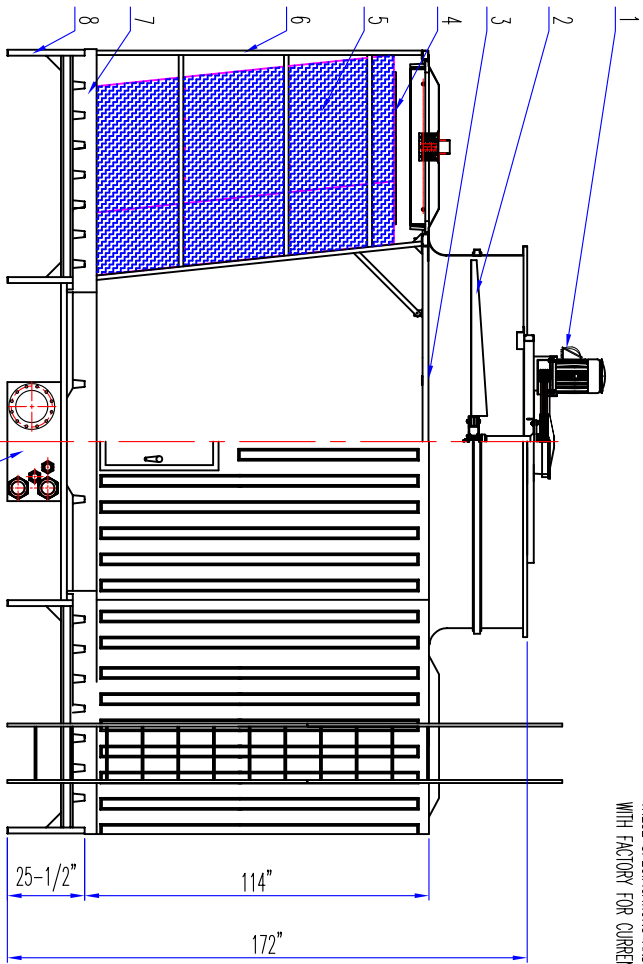


NOTE:  
 1. CONTINUING ENGINEERING RESEARCH RESULTS IN STEADY IMPROVEMENTS. THEREFORE, THESE SPECIFICATIONS AND DATA ARE SUBJECT TO CHANGE WITHOUT NOTICE. CONSULT WITH FACTORY FOR CURRENT CERTIFIED DIMENSIONS.



ITEM	PARTS	MATERIAL
1	MOTOR	
2	FAN	AL Alloy
3	TOP FRAME	HOT DIP GALV
4	DIFFUSION DECK	PP
5	FILLER	PVC
6	MILD LEVEL STAND	HOT DIP GALV
7	BASIN	FRP
8	TOWER SUPPORT	HOT DIP GALV
9	DISTRIBUTION TRAY	FRP
10	DISTRIBUTION TRAY CAP	FRP
11	FAN GUARD	HOT DIP GALV
12	MOTOR SUPPORT	HOT DIP GALV
13	BELT GUARD	FRP
14	LADDER	HOT DIP GALV
15	SUMP TANK	FRP
16	PANEL	FRP
17	FAN STACK	FRP

ITEM	SPECIFICATION	QTY
INLET	Ø6"	2
OUTLET	Ø10" (FLANGE)	1
AUTOMATIC MAKE-UP	Ø2" (ABS SOCKET)	1
MANUAL MAKE-UP	Ø2" (ABS SOCKET)	1
OVERFLOW	Ø4" (ABS SOCKET)	1
DRAIN	Ø4" (ABS SOCKET)	1

MODEL	MOTOR
FMS-400-7.5	7.5KW/4P
FMS-400-11	11KW/4P
FMS-400-15	15KW/4P
FMS-400-18.5	18.5KW/4P
FMS-400-22	22KW/4P

APPROVED		DWG. TITLE:	
KM LIN	06.26.2007	OVERALL DIMENSION	
CHECKED	NOJUN	DWG. DETAIL:	
HUANG	12.07.2007	FMS-400	
DRAWN	WEN	DWG. NO.	
	06.26.2007	ADMS-0400-P0	
		SCALE	
		1:60	

PROTEC COOLING TOWERS, INC.