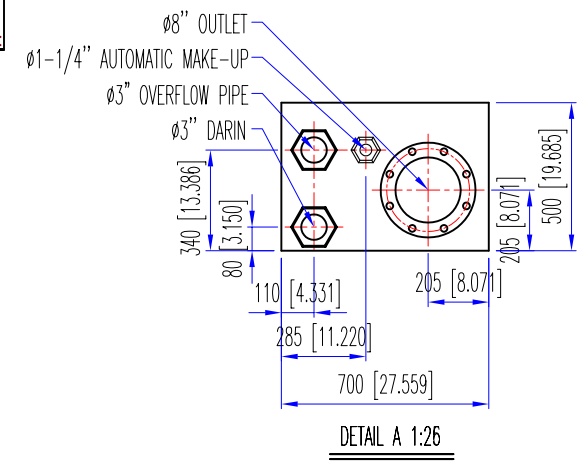


ITEM	PARTS NAME	SPEC / MATERIAL
1	TOWER SUPPORT	HOT DIP GALV
2	BASIN	FRP
3	MOTOR	15kw/4p
4	FAN	ø118.11" / AL
5	BEARING BOX	
6	FAN STACK	FRP
7	SIDE PANEL	FRP
8	PVC ELIMINATOR	PVC
9	DISTRIBUTION TRAY	FRP
10	FAN GUARD	HOT DIP GALV
11	LADDER	HOT DIP GALV
12	SUMP TANK	FRP



APPROVED	KM LIN	2007.06.30.	DWG TITLE: OVERALL DIMENSION	
CHECKED	HUANG	2007.06.30.	DWG DETAIL: FRS-250-15	
			DWG NO. ADRS-250-150-P0	SCALE 1:52
DRAWN	WEN	2007.06.30.	PROTEC COOLING TOWER INC	