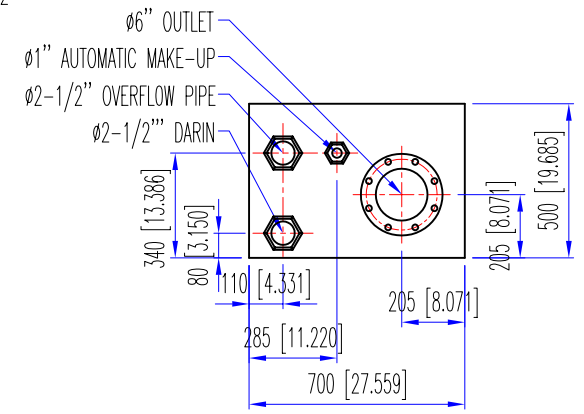
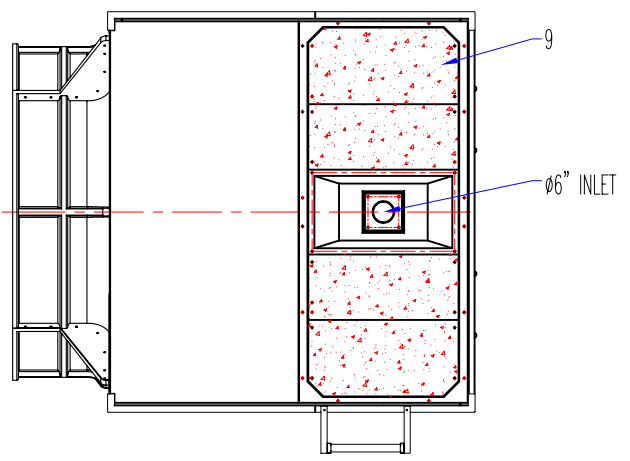


| ITEM | PARTS NAME | SPEC / MATERIAL |
|------|-------------------|-----------------|
| 1 | TOWER SUPPORT | HOT DIP GALV |
| 2 | BASIN | FRP |
| 3 | MOTOR | 4kw/4P |
| 4 | FAN | ø78.74" / AL |
| 5 | BEARING BOX | |
| 6 | FAN STACK | FRP |
| 7 | SIDE PANEL | FRP |
| 8 | PVC ELIMINATOR | PVC |
| 9 | DISTRIBUTION TRAY | FRP |
| 10 | FAN GUARD | HOT DIP GALV |
| 11 | LADDER | HOT DIP GALV |
| 12 | SUMP TANK | FRP |



DETAIL A 1:25

| | | | | | | |
|----------|--------|-------------|---------------------------------|-------------------|-------|------|
| APPROVED | KM LIN | 2007.06.30. | DWG TITLE: | OVERALL DIMENSION | | |
| CHECKED | HUANG | 2007.06.30. | DWG DETAIL: | FRS-100-4.0 | | |
| | | | DWG NO. | ADRS-100-040-PO | SCALE | 1:50 |
| DRAWN | WEN | 2007.06.30. | PROTEC COOLING TOWER INC | | | |